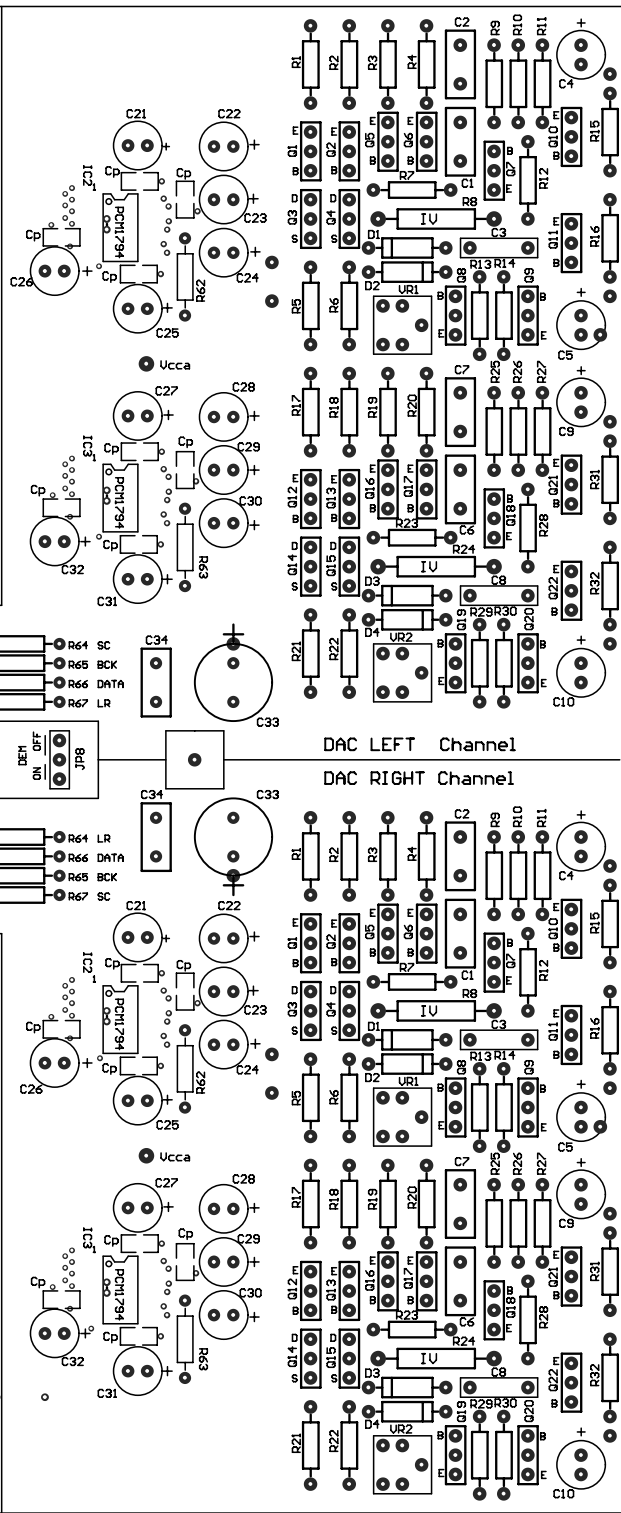
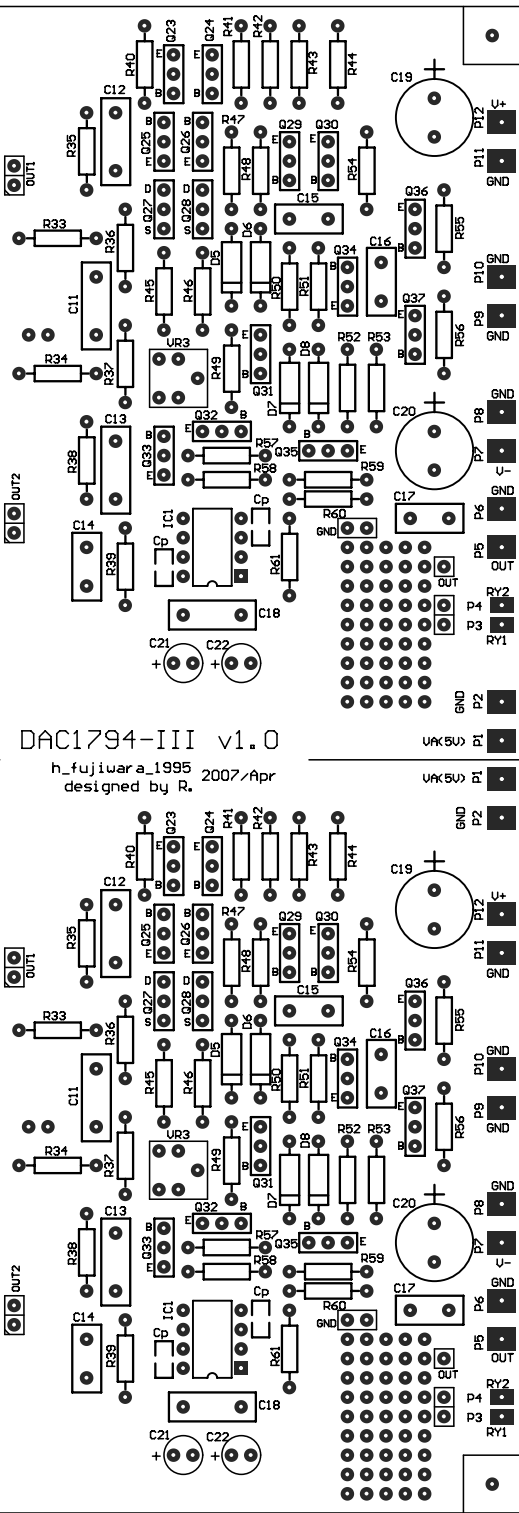


CS8416 DAI UNIT



DAC LEFT Channel

DAC RIGHT Channel



DAC1794-III v1.0

h_fujiwara1995 2007/Apr
designed by R.

UAK5U P1

UAK5U P1

GND P2

GND P12

GND P10

GND P9

GND P8

GND P6

GND P4

GND P3

GND P2

GND P1

GND P12

GND P10

GND P9

GND P8

GND P6

GND P4

GND P3

GND P2

GND P1

GND P12

GND P10

GND P9

GND P8

GND P6

GND P4

GND P3

GND P2

GND P1

GND P12

GND P10

GND P9

GND P8

GND P6

GND P4

GND P3

GND P2

GND P1

GND P12

GND P10

GND P9

GND P8

GND P6

GND P4

GND P3

GND P2

GND P1

GND P12

GND P10

GND P9

GND P8

GND P6

GND P4

GND P3

GND P2

GND P1

GND P12

GND P10

GND P9

GND P8

GND P6

GND P4

GND P3

GND P2

GND P1

GND P12

GND P10

GND P9

GND P8

GND P6

GND P4

GND P3

GND P2

GND P1

GND P12

GND P10

GND P9

GND P8

GND P6

GND P4

GND P3

GND P2

GND P1

GND P12

GND P10

GND P9

GND P8

GND P6

GND P4

GND P3

GND P2

GND P1

GND P12

GND P10

GND P9

GND P8

GND P6

GND P4

GND P3

GND P2

GND P1

GND P12

GND P10

GND P9

GND P8

GND P6

GND P4

GND P3

GND P2

GND P1

GND P12

GND P10

GND P9

GND P8

GND P6

GND P4

GND P3

GND P2

GND P1

GND P12

GND P10

GND P9

GND P8

GND P6

GND P4

GND P3

GND P2

GND P1

GND P12

GND P10

GND P9

GND P8

GND P6

GND P4

GND P3

GND P2

GND P1

GND P12

GND P10

GND P9

GND P8

GND P6

GND P4

GND P3

GND P2

GND P1

GND P12

GND P10

GND P9

GND P8

GND P6

GND P4

GND P3

GND P2

GND P1

GND P12

GND P10

GND P9

GND P8

GND P6

GND P4

GND P3

GND P2

GND P1

GND P12

GND P10

GND P9

GND P8

GND P6

GND P4

GND P3

GND P2

GND P1

GND P12

GND P10

GND P9

GND P8

GND P6

GND P4

GND P3

GND P2

GND P1

GND P12

GND P10

GND P9

GND P8

GND P6

GND P4

GND P3

GND P2

GND P1

GND P12

GND P10

GND P9

GND P8

GND P6

GND P4

GND P3

GND P2

GND P1

GND P12

GND P10

GND P9

GND P8

GND P6

GND P4

GND P3

GND P2

GND P1

GND P12

GND P10

GND P9

GND P8

GND P6

GND P4

GND P3

GND P2

GND P1

GND P12

GND P10

GND P9

GND P8

GND P6

GND P4

GND P3

GND P2

GND P1

GND P12

GND P10

GND P9

GND P8

GND P6

GND P4

GND P3

GND P2

GND P1

GND P12

GND P10

GND P9

GND P8

GND P6

GND P4

GND P3

GND P2

GND P1

GND P12

GND P10

GND P9

GND P8

GND P6

GND P4

GND P3

GND P2

GND P1

GND P12

GND P10

GND P9

GND P8

GND P6

GND P4

GND P3

GND P2

GND P1

GND P12

GND P10

GND P9

GND P8

GND P6

GND P4

GND P3

GND P2

GND P1

GND P12

GND P10

GND P9