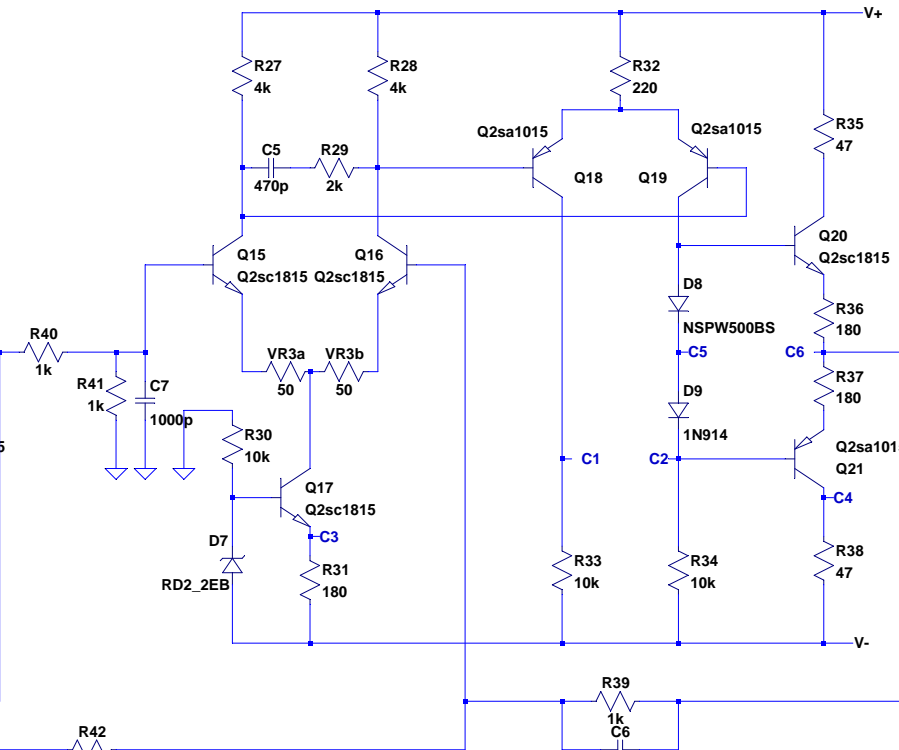
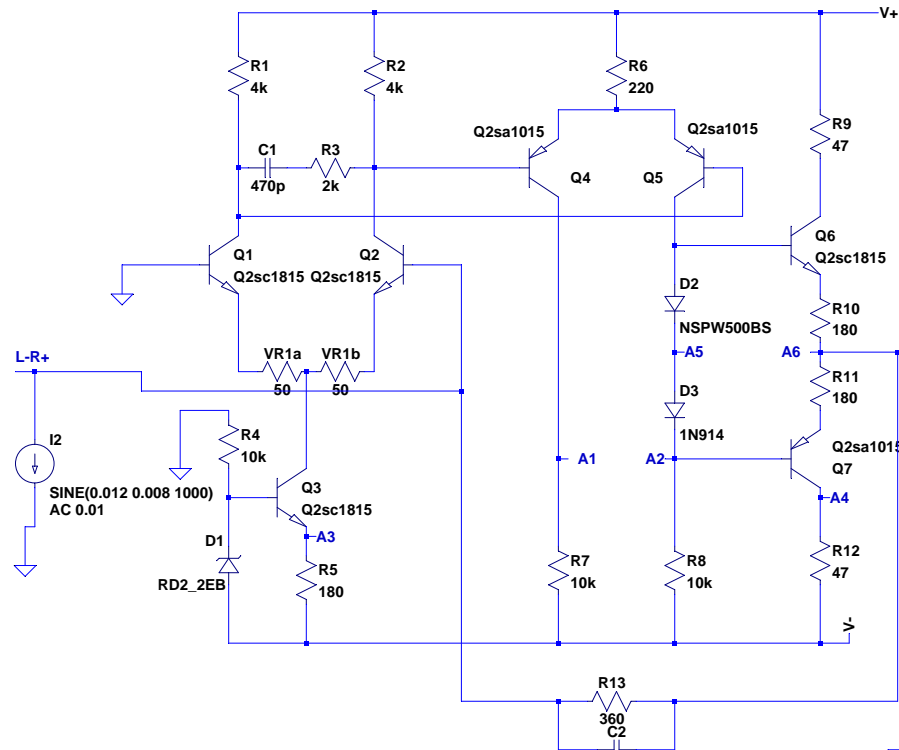
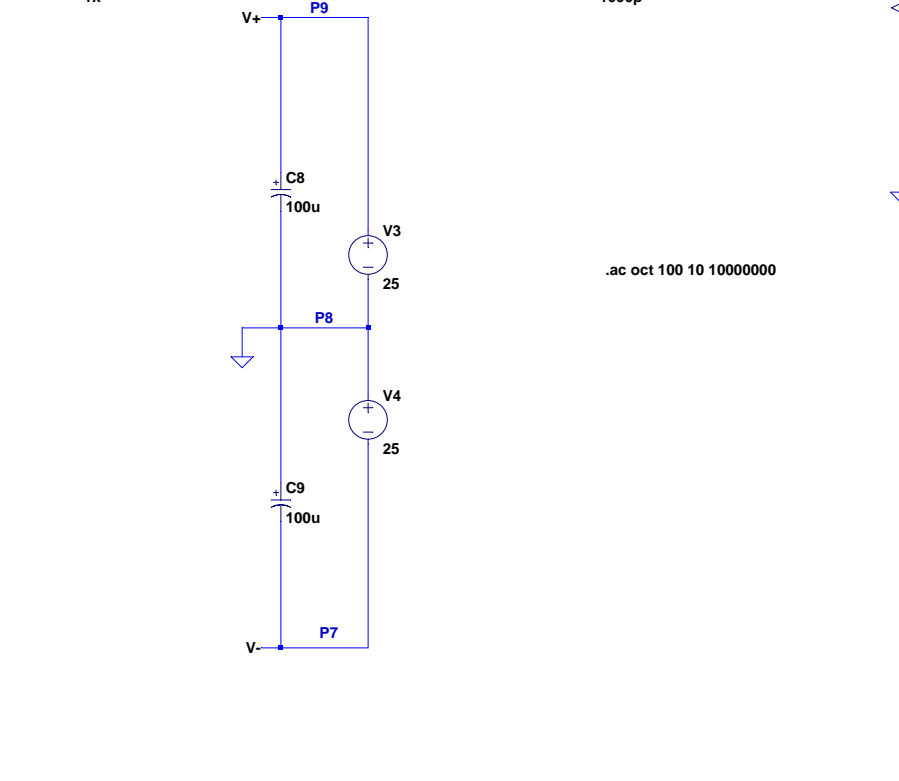
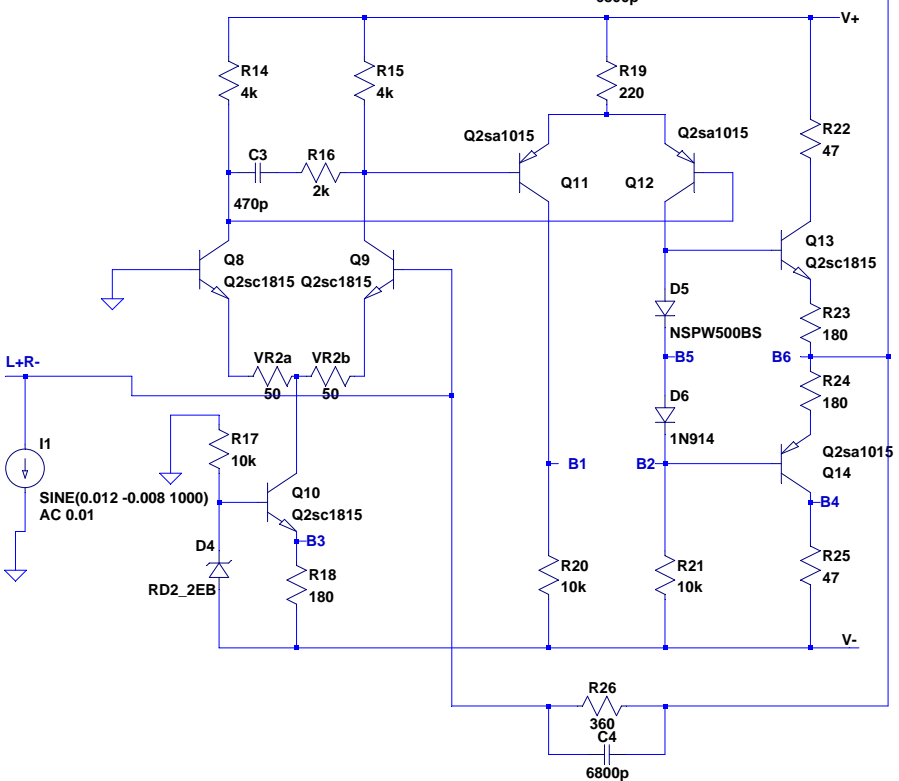


;tran 0 0.01 0 200



;tran 0 0.01 0 200



.ac oct 100 10 10000000

P5 OUT  
P6 SGND